

A close-up photograph of a hand splashing white milk against a light blue background. The hand is positioned as if it has just thrown the milk, with the liquid captured in mid-air, creating a dynamic and energetic scene. The lighting is bright, highlighting the texture of the milk and the skin of the hand.

We have over 30 years' experience in the industry

metssa[®]

Makine Elektronik ve Telekomünikasyon San. Ltd. Şti

www.metsatr.com



Metsa Ltd Şti, 1982 yılında başladığı üretim hayatına ; mutfak eşyaları üretimi ve pazarlaması ile başlamış, yıllarca başlıca büyük markalara ürün kalitesi kazandıran kendi ürettiği modern makine lerle yıllık 1,500.000 adetlik kapasite ile mutfak eşyaları gibi ürünlerle üretim yeteneğini ve markasını güçlendirmiştir... Bunların başlıcaları Kek Kalıpları, Paslanmaz Sefertası, Tava, Cezve, Kızartma Tepsileri Maşalardır. 1990 yılından itibaren Alüminyum süt güğümleri üretimine, kendi ürettiği akıllı makinelerle başlamıştır, bağlantıları sayesinde ihracat ağırlıklı üretim kalitesi ile bugün , geniş ürün yelpazesi ; Teknolojisi ; Deneyimli teknik kadrosu ve pazarlama ekibi ile dünya süt pazarında aranan ve güvenilen bir marka olmuştur. (Avrupa , Afrika , Güney Amerika, Ön Asya ve Türkiye) Alüminyum , Paslanmaz Süt Güğümleri ve süt donanımları üretim ve pazarlamasıyla yıllık 50.000 adetlik kapasitelere ulaşmıştır. Metsa Ltd Şti, üretim yeteneğini günden güne geliştiren çağın teknolojilerini takip ederek ilkeli ve kaliteli üretimine devam edecektir.

Metsa Manufacture Co., Ltd. began its production life in 1982, started with the production and marketing of kitchenware, the main big brands, product quality, saving for many years an annual self-produced with modern machines with a capacity of 1,500.000 units, and the brand has strengthened its ability to manufacture products such as kitchen utensils ... Foremost among these are Cake Molds, Stainless Steel Mess Kit, pan, coffee pot, frying trays tables. Buckets of milk production of aluminum since 1990 has self-produced intelligent machines. Today, thanks to connections with a wide range of export-oriented production quality; Technology; experienced technical team marketing team in world dairy market, has been sought after and trusted brand. (Europe, Africa, South America, Asia Minor and Turkey) Aluminum, Stainless Steel Milk Buckets and dairy equipment, production and marketing capacity has reached 50,000 a years. Metsa Co., Ltd develops from day to day production capabilities and high-quality production of contemporary technologies will continue to follow the principle.

Metsa Société à Responsabilité Limitée De Production et De Commercialisation La Société à Responsabilité Limitée METSA a commerencé la fabriciton de récipients en aluminium. A l'heure actuelle le programme de fabrication de la société offre un large choix de produits, machines a traire, récipients a couvercles pressurisés a destinés a l'export. Tonneaux destinés a transporter médicaments et huile d'olive, récipients pour le transport de matériel lourd. Tous les produits ci-dessus mentionnés ont des formes et des tailles variables. Les récipients de traite sont composés d'une seule pièce grace a l'utilisation de la haute technologie. Matière première aluminium a 99,5%, capasié des récipients, entre 03 et 50 liters. Epaisseur de la matière première, entre 2 et 5mm (environ). Type de couche supérieure, 15um anodise aluminium. La soudure circulaire autour du cou des récipients prévient la déformation de la jante. La base circulaire a été fabriquée a partir d'un aluminium résultant d'une composition spéciale. La résistance du récipient contre le sol s'en trouve d' autant renforcée. Le récipients est composé d'une seule pièce et se nettoie très facilement. Il est hygiénique puisqu'il n'y a ni jointure ni coin ni ondulation en surface qui résultent dans la formation de micro-bactéries. La balance en échelle devant le récipient permet de mesurer la quantité de lait durant le remplissage. Ainsi yn autre appareil de mesuration n'est pas nécessaire.

Plastic Lid
Milk Can with
opening ring



Lid&Lock
OR
Body Fix Lid
Transporting Can



Body fix lid 40Lt

Body fix lid 30Lt

Push-Pull or
mushroom Lid
Carrying handle
transporting Can



Rain Mushroom Lid
carrying handle
transporting Can



Milking Machines



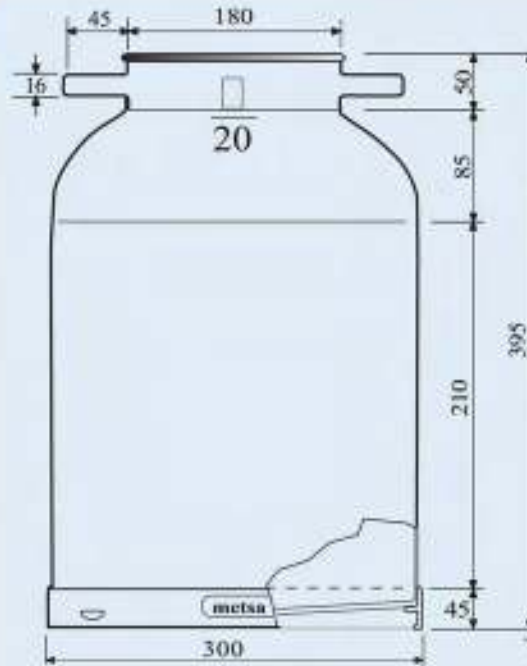
Dairy Equipments





Transport De Bidons De Lait Sans Couvercle
Transporting Milk Cans Without Lid

Kod: 5121-20



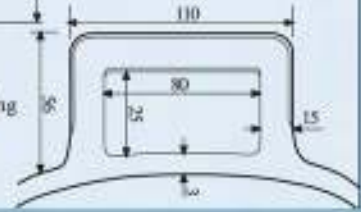
Spécifications Techniques

| | |
|---------------------|--------|
| Capacité | 20 Lt |
| Couvrir largeur | 175 mm |
| Diamètre de la base | 300 mm |
| Hauter | 395 mm |
| Poids | 3.1 Kg |

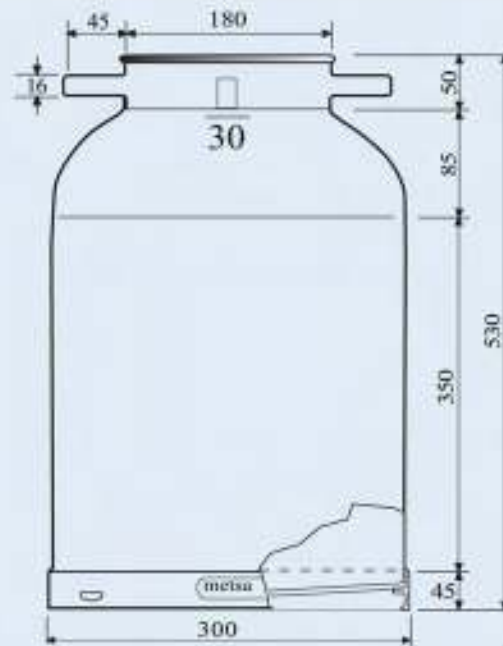
Technical Specifications

| | |
|-----------------|--------|
| Capacity | 20 Lt |
| Lid Diameter | 175 mm |
| Bottom Diameter | 300 mm |
| Height | 395 mm |
| Weight App | 3.1 Kg |

Plastic Opening Ring



Kod: 5121-30



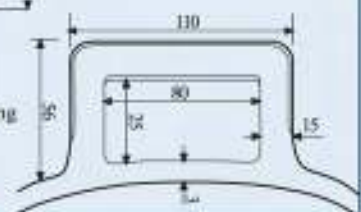
Spécifications Techniques

| | |
|---------------------|--------|
| Capacité | 30 Lt |
| Couvrir largeur | 175 mm |
| Diamètre de la base | 300 mm |
| Hauter | 530 mm |
| Poids | 4.0 Kg |

Technical Specifications

| | |
|-----------------|--------|
| Capacity | 30 Lt |
| Lid Diameter | 175 mm |
| Bottom Diameter | 300 mm |
| Height | 530 mm |
| Weight App | 4.0 Kg |

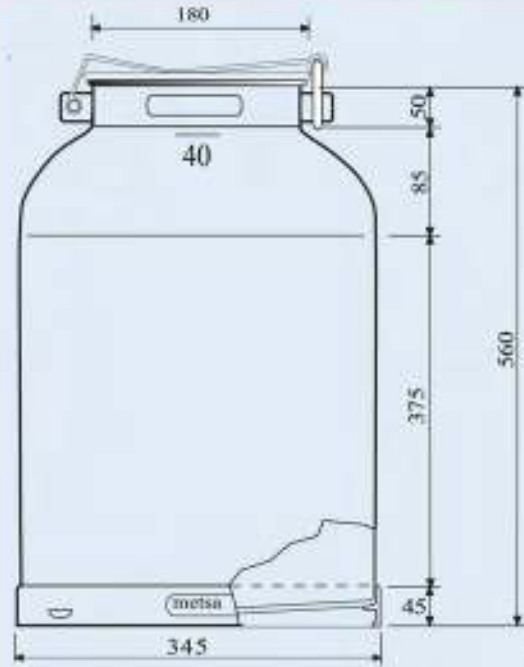
Plastic Opening Ring





Transport De Bidons De lait Avec Couvercle Et Serrure
Transporting Milk Can Cans With Lid and Lock

Kod: 5126-40



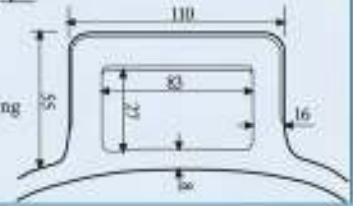
Spécifications Techniques

| | |
|---------------------|--------|
| Capacité | 40 Lt |
| Couvrir largeur | 175 mm |
| Diamètre de la base | 345 mm |
| Hauteur | 560 mm |
| Poids | 5.1 Kg |

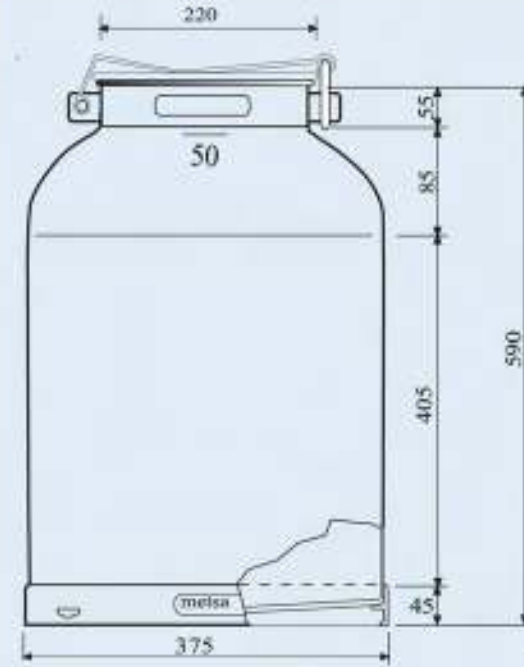
Technical Specifications

| | |
|-----------------|--------|
| Capacity | 40 Lt |
| Lid Diameter | 175 mm |
| Bottom Diameter | 345 mm |
| Height | 560 mm |
| Weight App | 5.1 Kg |

Aluminium Opening Ring



Kod: 5126-50



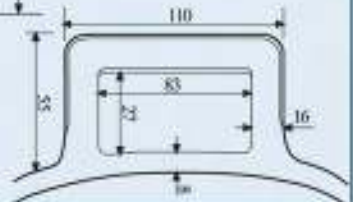
Spécifications Techniques

| | |
|---------------------|--------|
| Capacité | 50 Lt |
| Couvrir largeur | 220 mm |
| Diamètre de la base | 375 mm |
| Hauteur | 590 mm |
| Poids | 7.0 Kg |

Technical Specifications

| | |
|-----------------|--------|
| Capacity | 50 Lt |
| Lid Diameter | 220 mm |
| Bottom Diameter | 375 mm |
| Height | 590 mm |
| Weight App | 7.0 Kg |

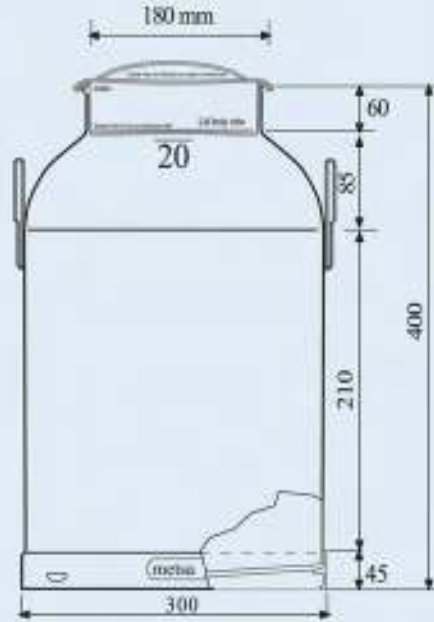
Aluminium Opening Ring





Transport De Bidons De lait Avec Couvercle
Transporting Milk Cans With push pull lid

Kod: 5226-20

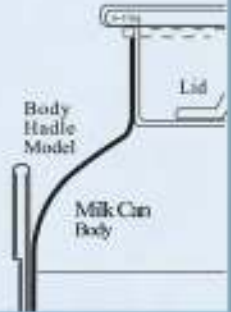


Spécifications Techniques

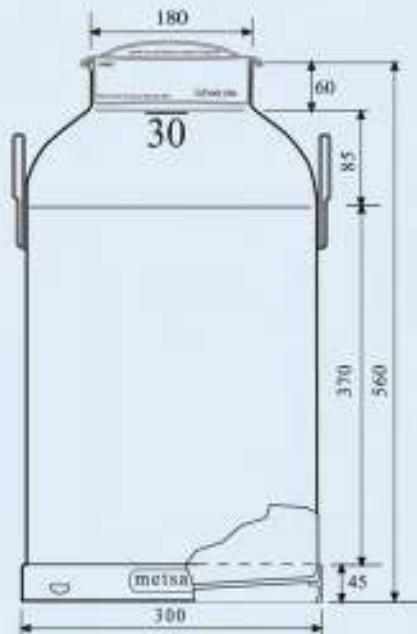
| | |
|---------------------|--------|
| Capacité | 20 Lt |
| Couvrir largeur | 175 mm |
| Diamètre de la base | 300 mm |
| Hauter | 400 mm |
| Poids | 3.1 Kg |

Technical Specifications

| | |
|-----------------|--------|
| Capacity | 20 Lt |
| Lid Diameter | 175 mm |
| Bottom Diameter | 300 mm |
| Height | 395 mm |
| Weight App | 3.1 Kg |



Kod: 5226-30



Spécifications Techniques

| | |
|---------------------|--------|
| Capacité | 30 Lt |
| Couvrir largeur | 175 mm |
| Diamètre de la base | 300 mm |
| Hauter | 560 mm |
| Poids | 3.5 Kg |

Technical Specifications

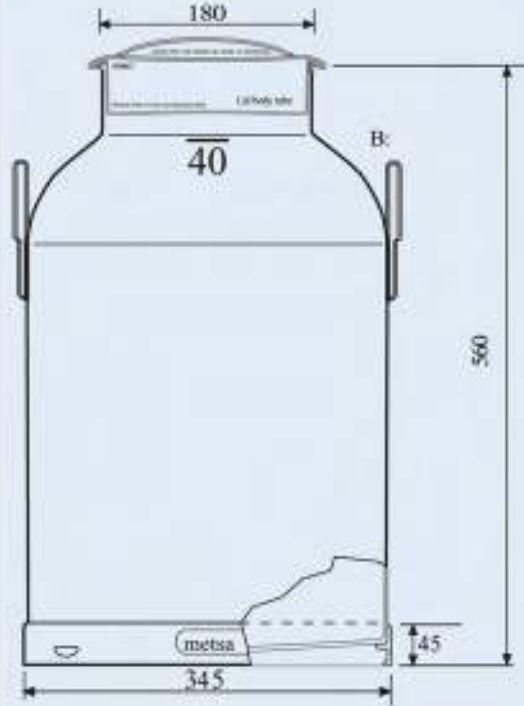
| | |
|-----------------|--------|
| Capacity | 30 Lt |
| Lid Diameter | 175 mm |
| Bottom Diameter | 300 mm |
| Height | 560 mm |
| Weight App | 3.5 Kg |





Transport De Bidons De lait Avec Couvercle Transporting Milk Cans With push pull lid

Kod: 5226-40

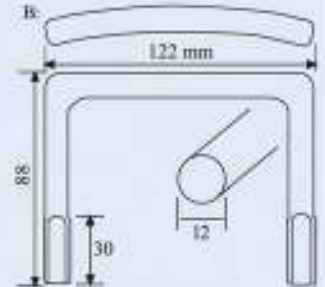


Spécifications Techniques

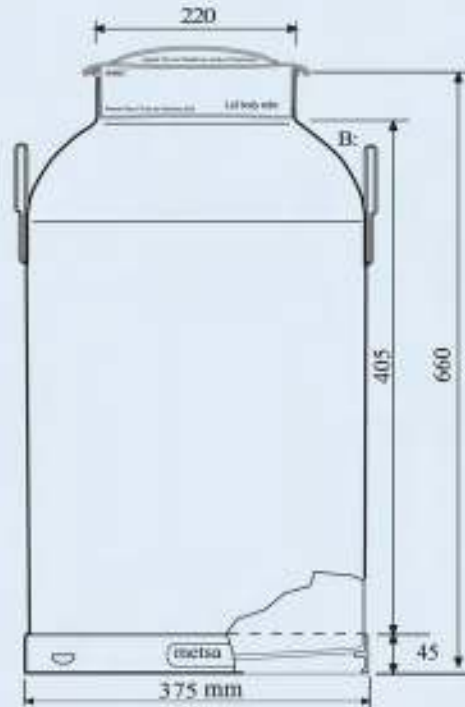
| | |
|---------------------|--------|
| Capacité | 40 Lt |
| Couvrir largeur | 175 mm |
| Diamètre de la base | 345 mm |
| Hauter | 560 mm |
| Poids | 4.8 Kg |

Technical Specifications

| | |
|-----------------|--------|
| Capacity | 40 Lt |
| Lid Diameter | 175 mm |
| Bottom Diameter | 345 mm |
| Height | 560 mm |
| Weight App | 4.8 Kg |



Kod: 5226-50

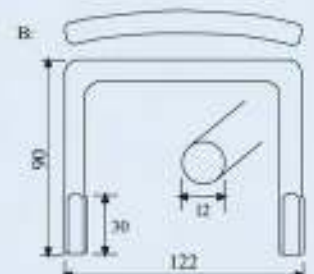


Spécifications Techniques

| | |
|---------------------|--------|
| Capacité | 50 Lt |
| Couvrir largeur | 220 mm |
| Diamètre de la base | 375 mm |
| Hauter | 660 mm |
| Poids | 6.2 Kg |

Technical Specifications

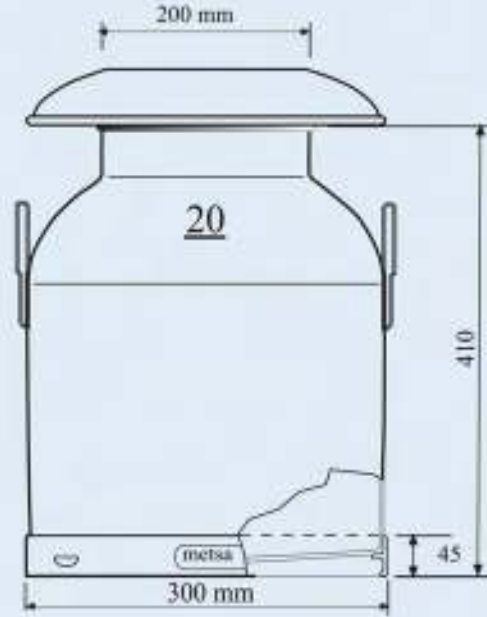
| | |
|-----------------|--------|
| Capacity | 50 Lt |
| Lid Diameter | 220 mm |
| Bottom Diameter | 375 mm |
| Height | 660 mm |
| Weight App | 6.2 Kg |





Transport De Bidons De Lait Avec Couvercle Champignons
Transporting Milk Cans With Mushroom Lid

Kod: 5226m-20

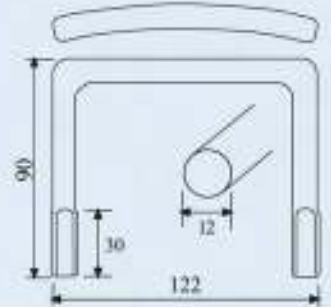


Spécifications Techniques

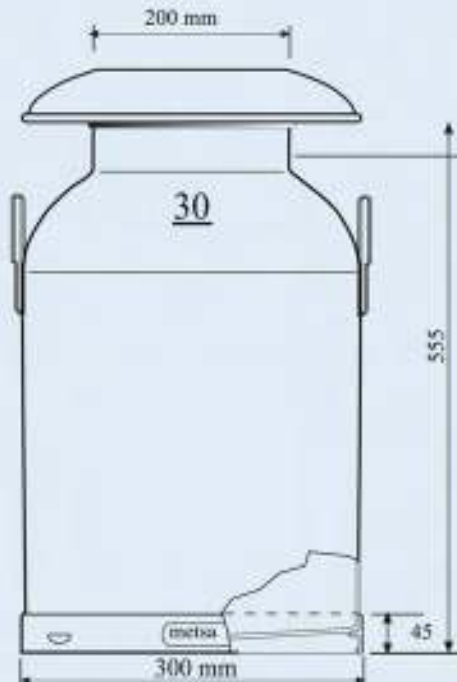
| | |
|---------------------|--------|
| Capacité | 20 Lt |
| Couvrir largeur | 190 mm |
| Diamètre de la base | 300 mm |
| Hauteur | 410 mm |
| Poids | 4.5 Kg |

Technical Specifications

| | |
|-----------------|--------|
| Capacity | 20 Lt |
| Lid Diameter | 190 mm |
| Bottom Diameter | 300 mm |
| Height | 410 mm |
| Weight App | 4.5 Kg |



Kod: 5226m-30

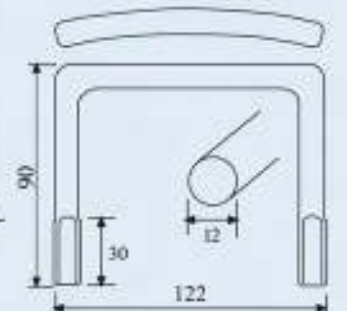


Spécifications Techniques

| | |
|---------------------|--------|
| Capacité | 30 Lt |
| Couvrir largeur | 190 mm |
| Diamètre de la base | 300 mm |
| Hauteur | 555 mm |
| Poids | 6.5 Kg |

Technical Specifications

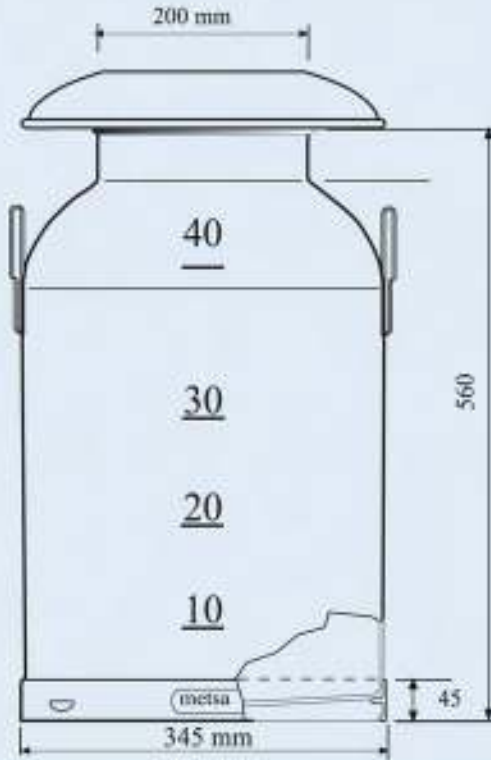
| | |
|-----------------|--------|
| Capacity | 30 Lt |
| Lid Diameter | 190 mm |
| Bottom Diameter | 300 mm |
| Height | 555 mm |
| Weight App | 6.5 Kg |





Transport De Bidons De Lait Avec Couvercle Champignons
Transporting Milk Cans With Mushroom Lid

Kod: 5226m-40

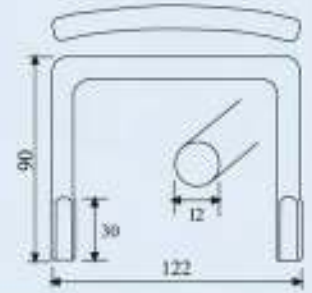


Spécifications Techniques

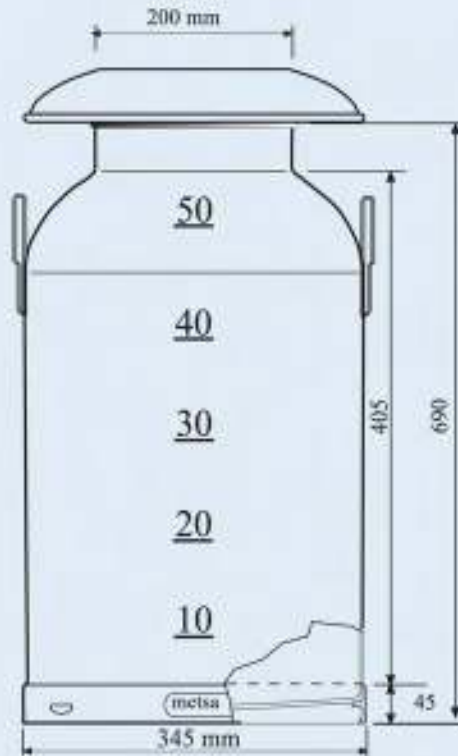
| | |
|---------------------|--------|
| Capacité | 40 Lt |
| Couvercle largeur | 190 mm |
| Diamètre de la base | 345 mm |
| Hauter | 560 mm |
| Poids | 6.7 Kg |

Technical Specifications

| | |
|-----------------|--------|
| Capacity | 40 Lt |
| Lid Diameter | 190 mm |
| Bottom Diameter | 345 mm |
| Height | 560 mm |
| Weight App | 6.7 Kg |



Kod:5226m-50

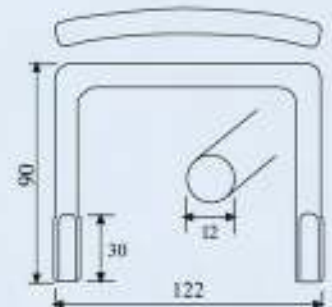


Spécifications Techniques

| | |
|---------------------|--------|
| Capacité | 50 Lt |
| Couvercle largeur | 190 mm |
| Diamètre de la base | 345 mm |
| Hauter | 690 mm |
| Poids | 7.2 Kg |

Technical Specifications

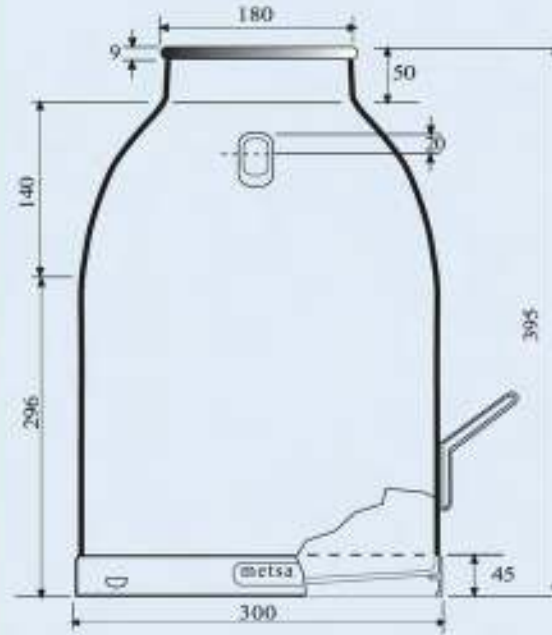
| | |
|-----------------|--------|
| Capacity | 50 Lt |
| Lid Diameter | 190 mm |
| Bottom Diameter | 345 mm |
| Height | 690 mm |
| Weight App | 7.2 Kg |





Bidons de lait pour machines à traire milk cans for milking machines

Kod: 5321-33



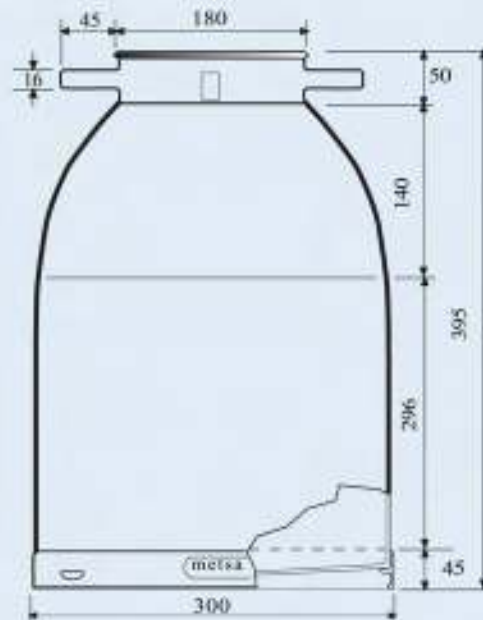
Spécifications Techniques

| | |
|---------------------|--------|
| Capacité | 33 Lt |
| Couvrir largeur | 175 mm |
| Diamètre de la base | 300 mm |
| Hauter | 395 mm |
| Poids | 4.0 Kg |

Technical Specifications

| | |
|-----------------|--------|
| Capacity | 33 Lt |
| Lid Diameter | 175 mm |
| Bottom Diameter | 300 mm |
| Height | 395 mm |
| Weight App | 4.0 Kg |

Kod: 5321-33 bç



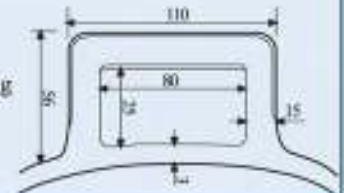
Spécifications Techniques

| | |
|---------------------|--------|
| Capacité | 33 Lt |
| Couvrir largeur | 175 mm |
| Diamètre de la base | 300 mm |
| Hauter | 395 mm |
| Poids | 4.0 Kg |

Technical Specifications

| | |
|-----------------|--------|
| Capacity | 33 Lt |
| Lid Diameter | 175 mm |
| Bottom Diameter | 300 mm |
| Height | 395 mm |
| Weight App | 4.0 Kg |

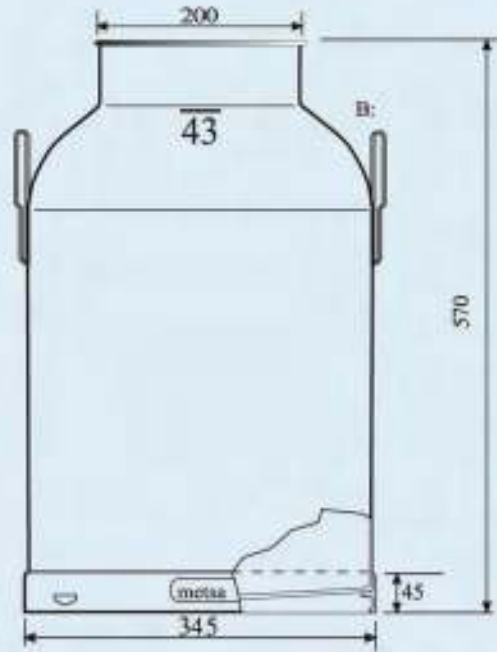
Plastic Opening Ring
Handle





Bidons de Lait Pour Machines à Traire dim.180 - 220 mm
Milk Cans for Milking Machines dim.180 - 220 mm

Kod: 5221-43

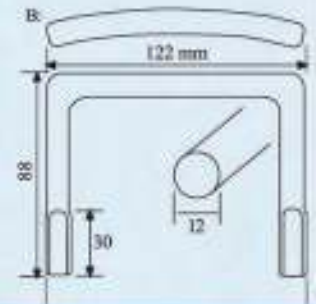


Spécifications Techniques

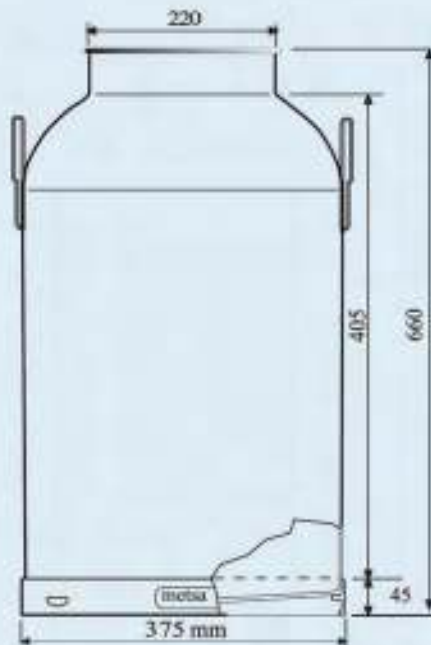
| | |
|---------------------|--------|
| Capacité | 43 Lt |
| Couvrir largeur | 200 mm |
| Diamètre de la base | 345 mm |
| Hauter | 570 mm |
| Poids | 4.5 Kg |

Technical Specifications

| | |
|-----------------|--------|
| Capacity | 43 Lt |
| Lid Diameter | 175 mm |
| Bottom Diameter | 345 mm |
| Height | 570 mm |
| Weight App | 4.5 Kg |



Kod: 5221-50

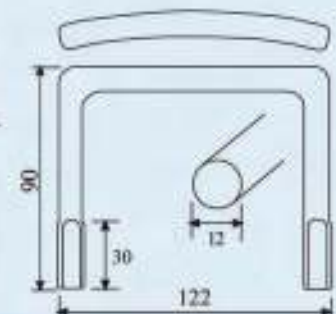


Spécifications Techniques

| | |
|---------------------|--------|
| Capacité | 50 Lt |
| Couvrir largeur | 220 mm |
| Diamètre de la base | 375 mm |
| Hauter | 660 mm |
| Poids | 5.7 Kg |

Technical Specifications

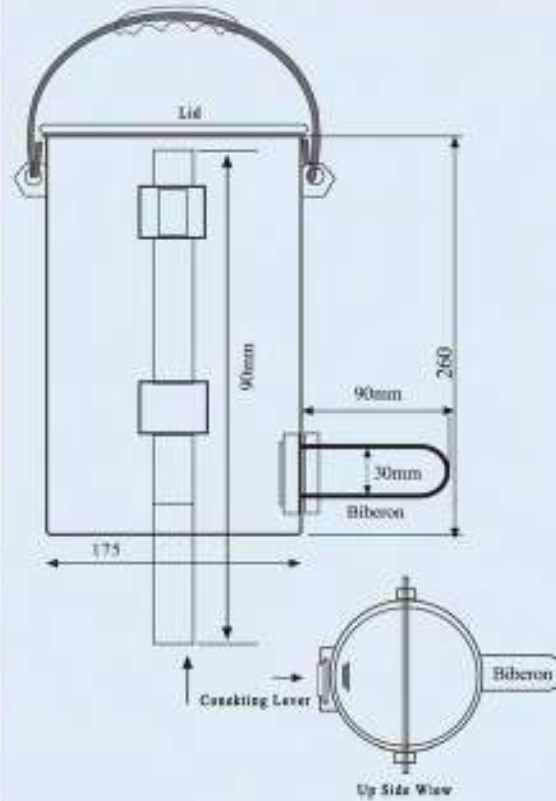
| | |
|-----------------|--------|
| Capacity | 50 Lt |
| Lid Diameter | 220 mm |
| Bottom Diameter | 375 mm |
| Height | 660 mm |
| Weight App | 5.7 Kg |





Seau De Veau Calf Pail 5 lt

Kod: 2019



Spécifications Techniques

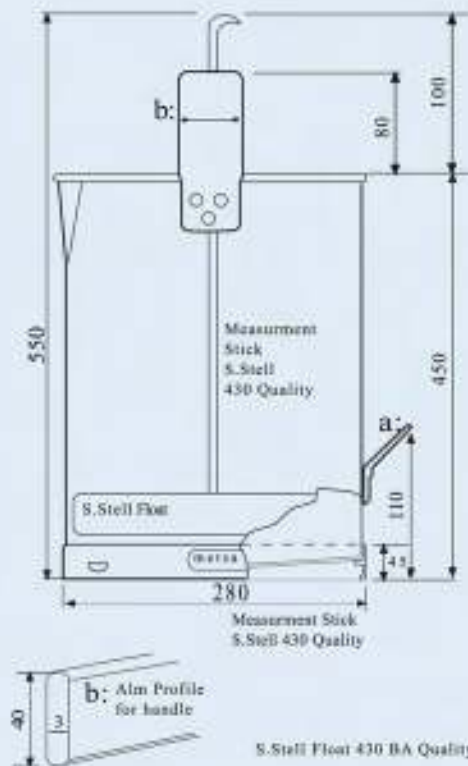
| | |
|---------------------|---------|
| Capacité | 0,5 Lt |
| Couvrir largeur | 173 mm |
| Diamètre de la base | 175 mm |
| Hauter | 260 mm |
| Poids | 1,25 Kg |

Technical Specifications

| | |
|-----------------|---------|
| Capacity | 05 Lt |
| Lid Diameter | 173 Lt |
| Bottom Diameter | 175 mm |
| Height | 260 mm |
| Weight App | 1,25 Kg |

Flotter Compteur à Lait 20 Lt Milk Gauge With Buoy

Kod: 5021-p

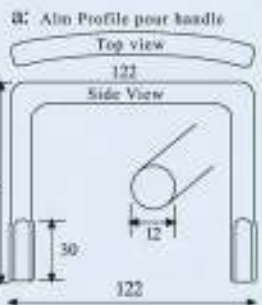


Spécifications Techniques

| | |
|---------------------|--------|
| Capacité | 20 Lt |
| Couvrir largeur | 270 mm |
| Diamètre de la base | 280 mm |
| Hauter | 550 mm |
| Poids | 4.7 Kg |

Technical Specifications

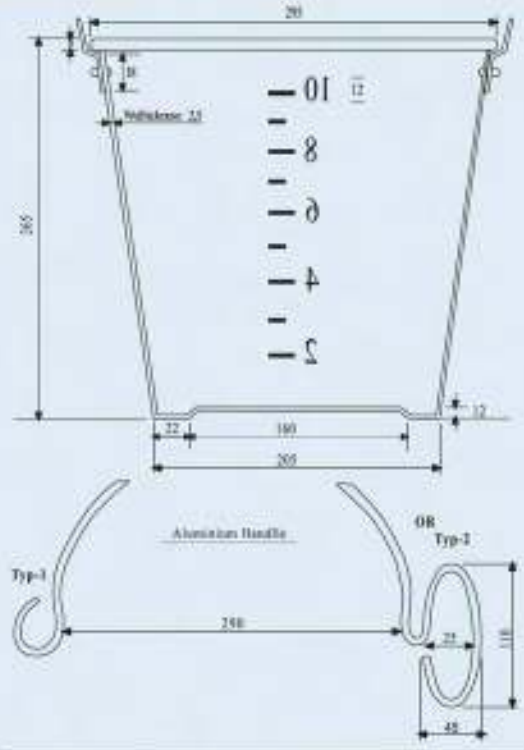
| | |
|-----------------|--------|
| Capacity | 20 Lt |
| Lid Diameter | 270 mm |
| Bottom Diameter | 280 mm |
| Height | 550 mm |
| Weight App | 4.7 Kg |





Seau Conique Conical Milk Pail

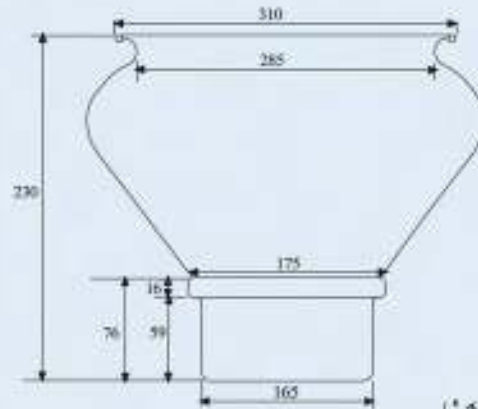
Kod: 2020



CONICAL MILK CHURN

Filtre à Lait Milk Filter

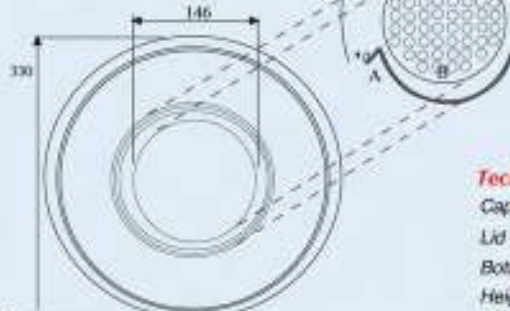
Kod: 2018



Spécifications Techniques

| | |
|---------------------|--------|
| Capacité | 25 Lt |
| Couvrir largeur | 285 mm |
| Diamètre de la base | 165 mm |
| Hauter | 230 mm |
| Poids | 1 Kg |

Top View



A - Fixing Ring
(Stainless Steel)

B - Milk Filtering Disk 2 pcs.
(Aluminium)

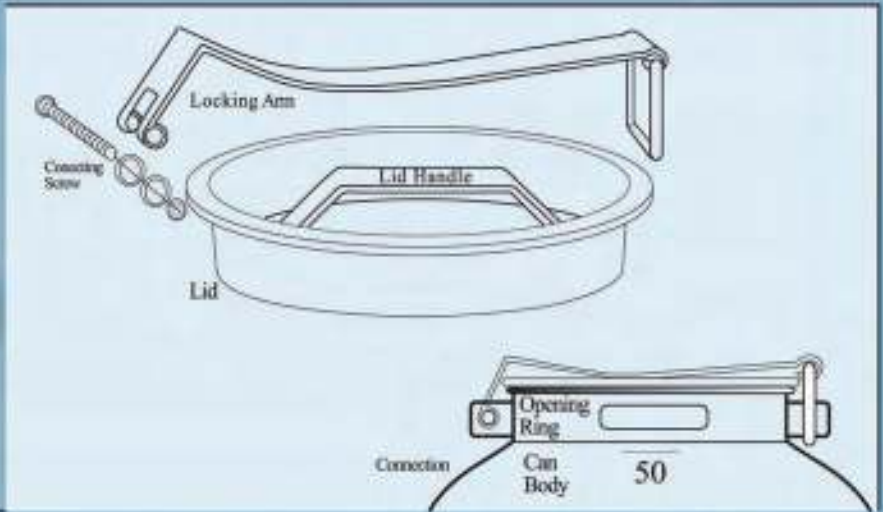
Technical Specifications

| | |
|-----------------|--------|
| Capacity | 25 Lt |
| Lid Diameter | 285 mm |
| Bottom Diameter | 165 mm |
| Height | 230 mm |
| Weight App | 1 Kg |



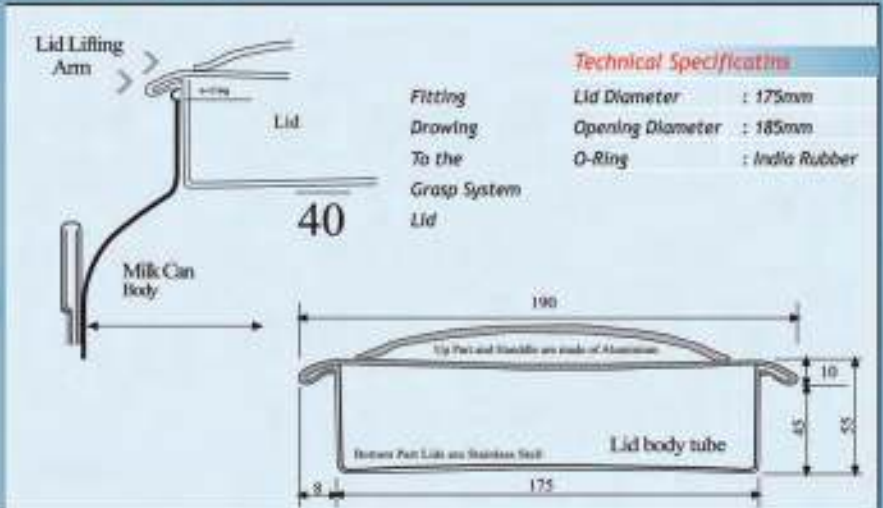
Couvercle Aluminium Avec Système de Verrouillage dimantion 180-220mm
Aluminium lid with Lid and Lock System dim.180 - 220 mm

Kod: 5010 / 180 -220



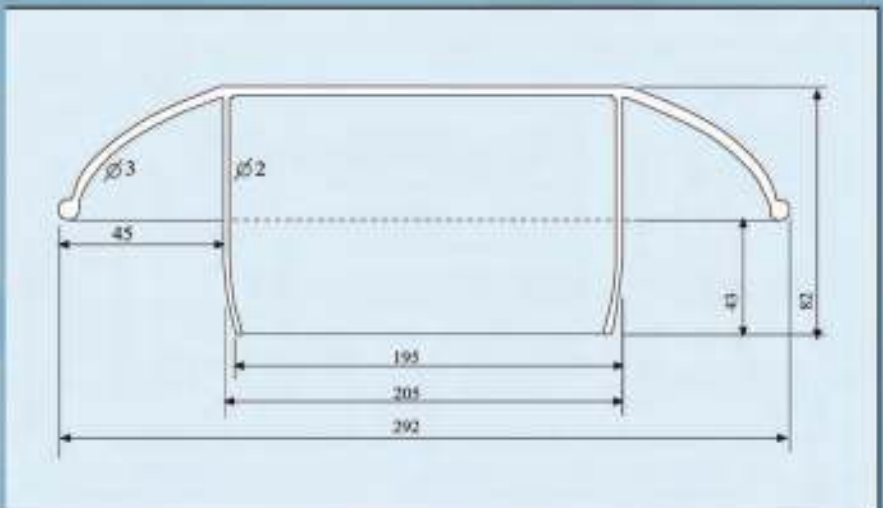
Couvercle en Acier Inoxydable et Aluminium à Double Paroi
Inox and Aluminium Duble Surface Lid with lid

Kod: 5021 / 180 mm



Couvercle Champignon en Aluminium
Aluminium Mushroom Lid

Kod:5054 / 200mm





Bidon à Couvercle fixe avec Clapet fixed cover and lock milk Cans



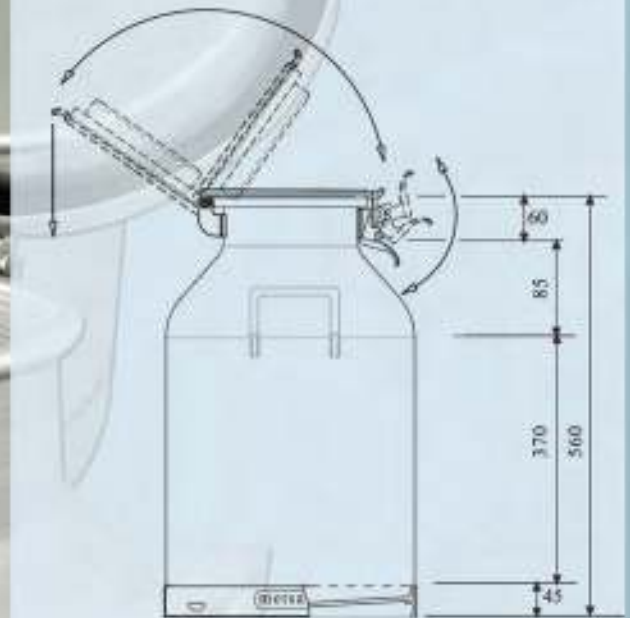
5226 - 30P

Spécifications Techniques

| | |
|---------------------|--------|
| Capacité | 30 Lt |
| Couvrir largeur | 210 mm |
| Diamètre de la base | 300 mm |
| Hauter | 560 mm |
| Poids | 4.2 Kg |

Technical Specifications

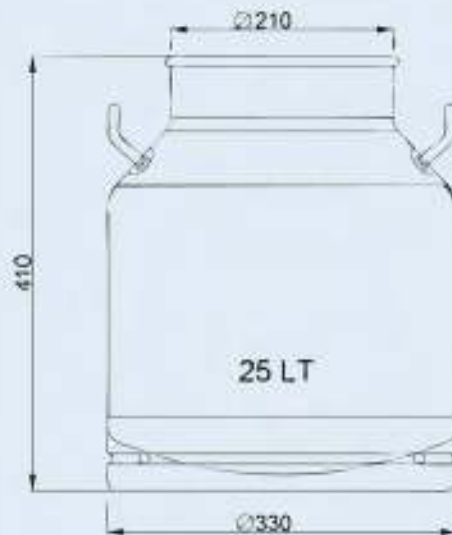
| | |
|-----------------|--------|
| Capacity | 30 Lt |
| Lid Diameter | 210 mm |
| Bottom Diameter | 300 mm |
| Height | 560 mm |
| Weight App | 4.2 Kg |





Bidon en Acier Inoxydable Pour Transport du Lait Stainless Steel Transporting Milk Can

02.6100.25



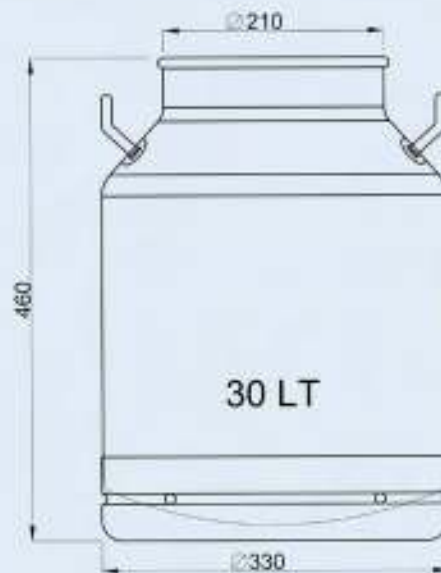
Spécifications Techniques

| | |
|---------------|---------|
| Ref aîn | 02.6200 |
| capacité | 25 Lt |
| Ouverture Dim | 210 mm |
| Base de Dim | 330 mm |
| Hauteur | 410 mm |
| Paroi épaisse | 1.0 mm |

Technical Specifications

| | |
|-------------|---------|
| Order Ref | 02.6200 |
| Capacity | 25 Lt |
| Opening Dim | 210 mm |
| Base Dim | 330 mm |
| Height | 410 mm |
| Wall Thick | 1.0 mm |

02.6100.30



Spécifications Techniques

| | |
|---------------|---------|
| Ref aîn | 02.6200 |
| capacité | 30 Lt |
| Ouverture Dim | 210 mm |
| Base de Dim | 330 mm |
| Hauteur | 640 mm |
| Paroi épaisse | 1.0 mm |

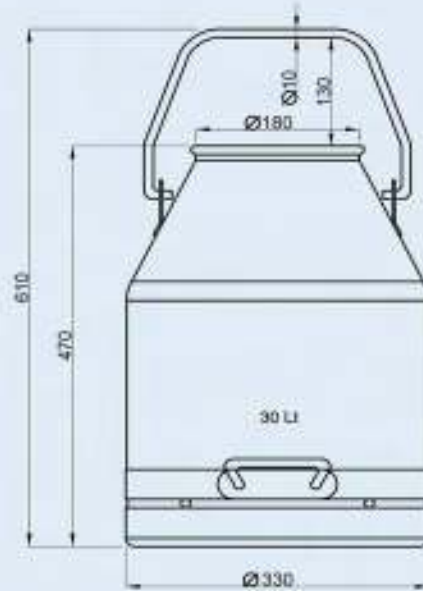
Technical Specifications

| | |
|-------------|---------|
| Order Ref | 02.6200 |
| Capacity | 30 Lt |
| Opening Dim | 210 mm |
| Base Dim | 330 mm |
| Height | 640 mm |
| Weight | 5.2 Kg |
| Wall Thick | 1.0 mm |



Bidon en Acier Inoxydable Pour Transport du Lait Stainless Steel Transporting Milk Can

02.6100.30



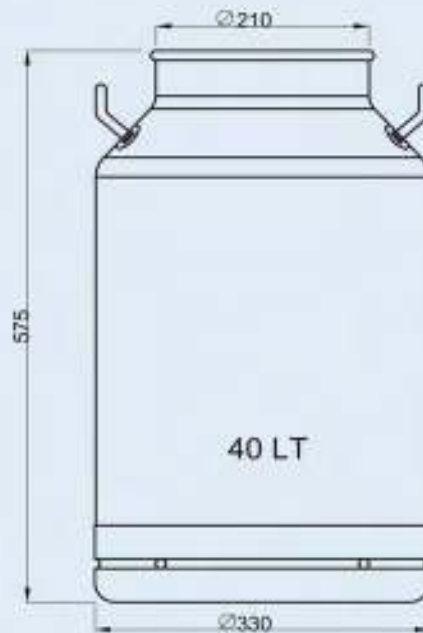
Spécifications Techniques

| | |
|---------------|---------|
| Réf afin | 02.6200 |
| capacité | 30 Lt |
| Ouverture Dim | 210 mm |
| Base de Dim | 330 mm |
| Hauteur | 470 mm |
| Paroi épaisse | 1.0 mm |

Technical Specifications

| | |
|-------------|---------|
| Order Ref | 02.6200 |
| Capacity | 30 Lt |
| Opening Dim | 210 mm |
| Base Dim | 330 mm |
| Height | 470 mm |
| Wall Thick | 1.0 mm |

02.6100.40



Spécifications Techniques

| | |
|---------------|---------|
| Réf afin | 02.6200 |
| capacité | 40 Lt |
| Ouverture Dim | 210 mm |
| Base de Dim | 330 mm |
| Hauteur | 575 mm |
| Paroi épaisse | 1.0 mm |

Technical Specifications

| | |
|-------------|---------|
| Order Ref | 02.6200 |
| Capacity | 40 Lt |
| Opening Dim | 210 mm |
| Base Dim | 330 mm |
| Height | 575 mm |
| Wall Thick | 1.0 mm |



Bidons de lait pour les produits laitiers petite *Milk can for small dairy*



| Code | Lt | le diamètre de base The Base Diameter | le diamètre de jante Rim Diameter | Couvrir Cover |
|-------|-------|--|--------------------------------------|----------------------|
| D5226 | 10 Lt | 250 mm | 150 mm | Lid & Lock Push pull |
| D5226 | 15 Lt | 250 mm | 150 mm | Lid & Lock Push pull |
| D5226 | 20 Lt | 250 mm | 150 mm | Lid & Lock Push pull |

| Code and Lt | le diamètre de base The Base Diameter | le diamètre de jante rim diameter | Couvrir |
|-------------|--|--------------------------------------|----------------------|
| 5226-1Lt | 110 mm | 60 mm | Lid & Lock Push pull |
| 5226-1,5Lt | 110 mm | 60 mm | Lid & Lock Push pull |
| 5226-2Lt | 110 mm | 60 mm | Lid & Lock Push pull |
| 5226-5Lt | 170 mm | 120 mm | Lid & Lock Push pull |





Réipient pour produits chimiques solides
Container For Solid Chemical

Kod:5018 K



| Kod | Hacim |
|--------|-------|
| 5018 K | 20 Lt |
| | 50 Lt |

Réipient pour produits chimiques solides
Container For Solid Chemical

Kod:5019 K



| Kod | Hacim |
|--------|-------|
| 5019 K | 20 Lt |
| | 50 Lt |

Obtenir un Seau de Lait & Seau à lait
Getting Milk Scoop & Milk Pail

Kod: 5821



| Kod | Hacim |
|---------|-------|
| 5821-25 | 25 Lt |
| 5821-30 | 30 Lt |
| 5821-40 | 40 Lt |



Makine Elektronik ve Telekomunikasyon San. Ltd. Şti

Bayrampaşa - Litras Yolu Maltepe Mah. Site Yolu Sokak
No:25/ 2 Topkapı - İstanbul / TURKEY

Tel : + 90 212 501 26 92 - 501 26 93 - 567 13 04 - 501 88 71

Fax : + 90 212 544 86 50 e-mail: info@metsatr.com

www.metsatr.com